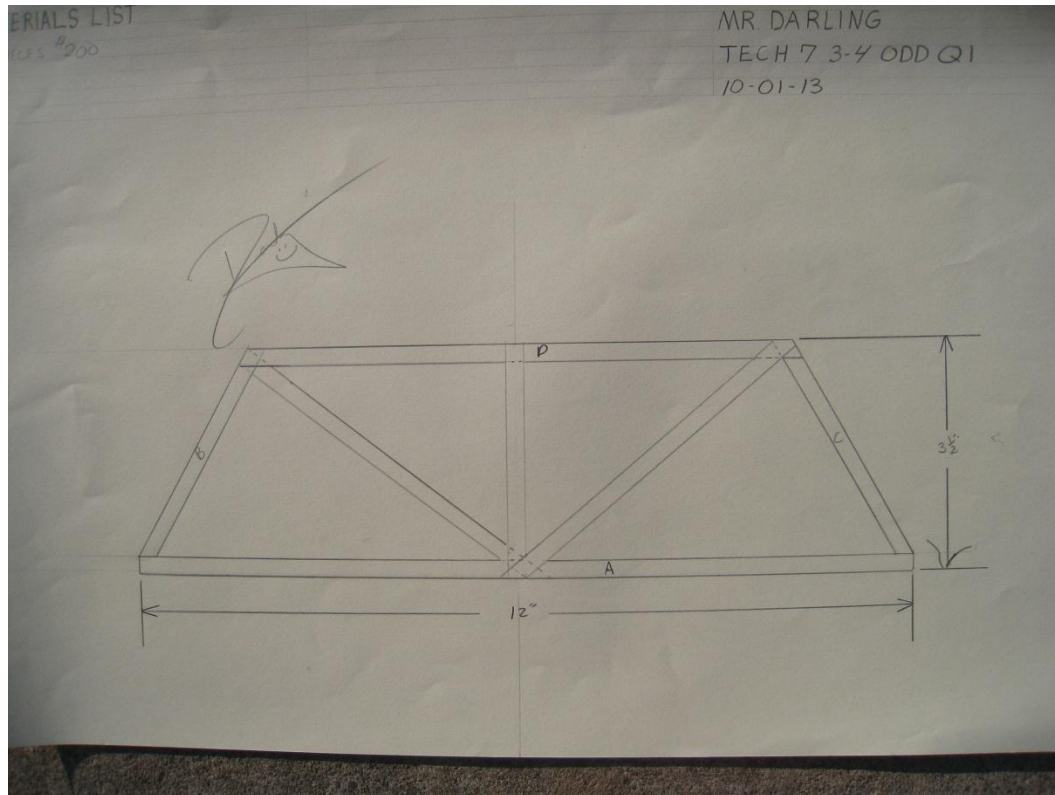


Drawing Tools Used for the Mechanical Drawing of Structure (Bridge) Project

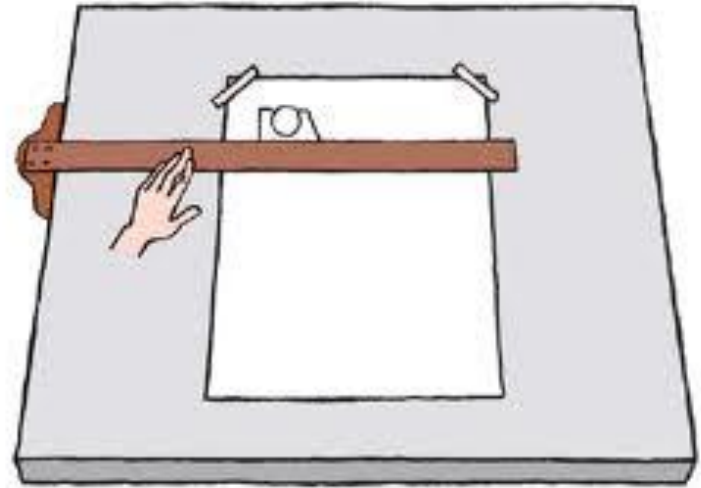


Drawing Board



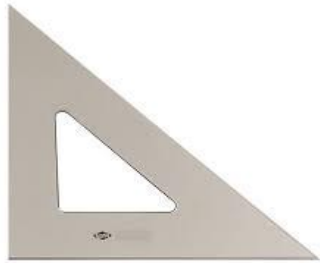
- **Drawing Board:** A flat square surface to draw on

T Square



- **T Square:** Used to draw straight horizontal parallel lines

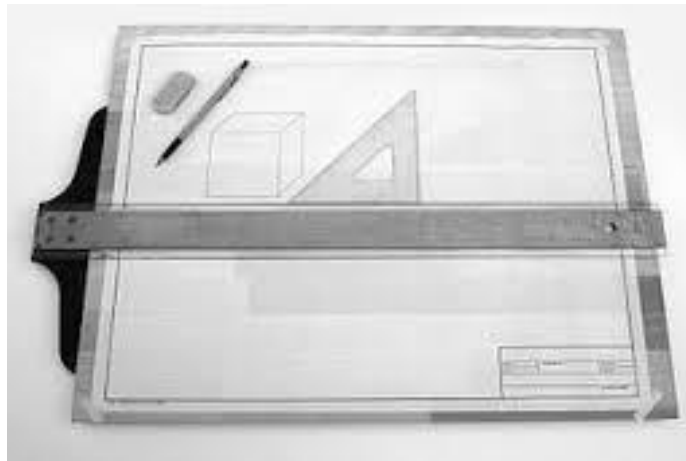
Drawing Triangles



45° / 90° Triangle



30° / 60° / 90° Triangle



- **Drawing Triangles:** Used to draw Vertical lines or 30 degree/45 degree/60 degree angles

Drafting Brush / Dry erase Bag



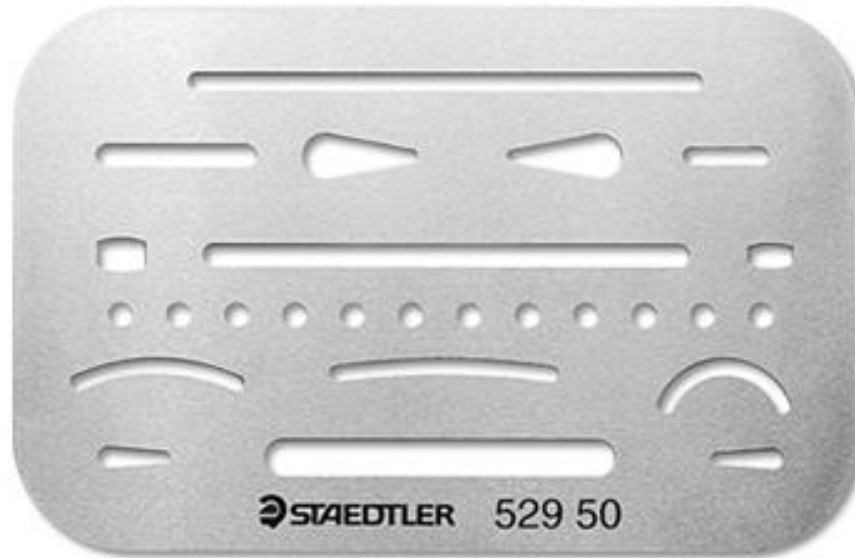
Drafting Brush



Dry erase Bag

- Used to remove eraser shaving left behind. Will not smear pencil lead

Eraser Shield



- Erasing shield to mask areas you don't want to accidentally erase

Flexible Ruler



- Used to draw accurate curved lines